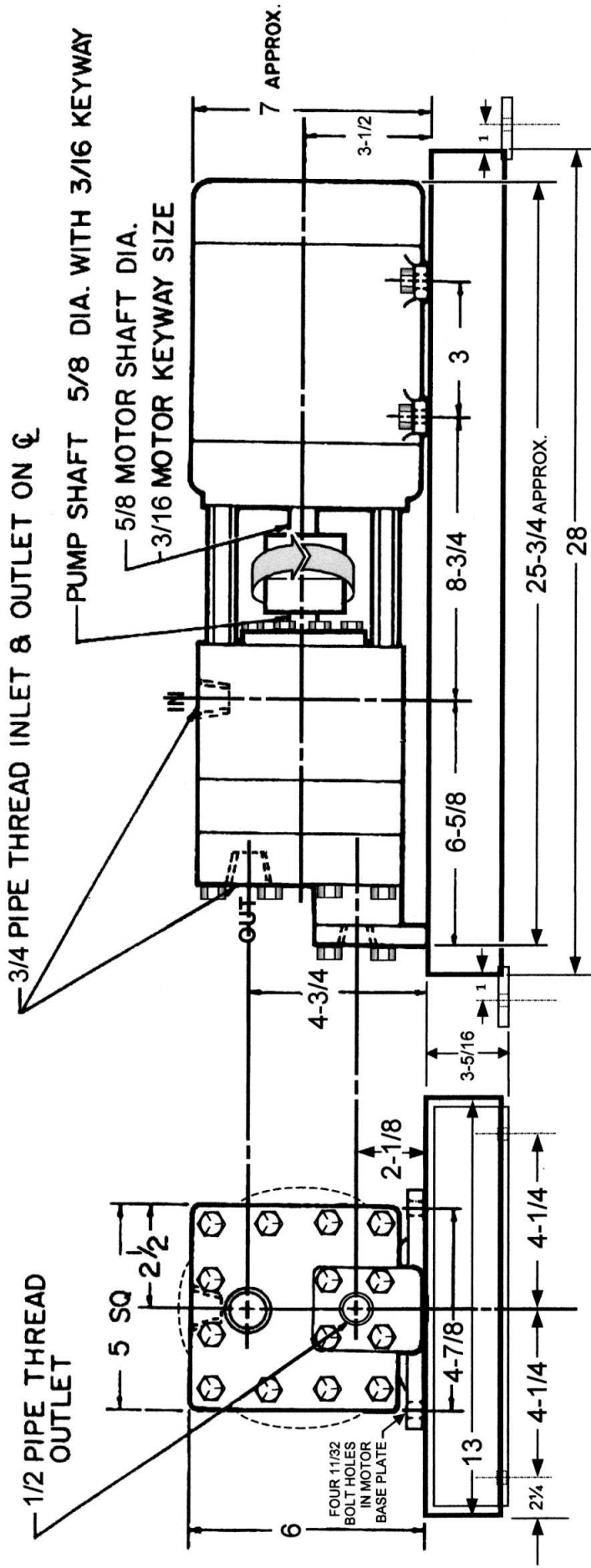


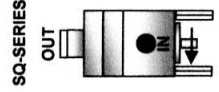
NOTE: STANDARD SQ-SERIES PUMPS ARE NOT REVERSIBLE.
SOME SPECIALLY CONFIGURED UNITS ARE REVERSIBLE.

DRAWING NOT TO SCALE



ALL NUMERALS IN DRAWING REPRESENT INCHES, $\pm 1/16$.

THE DRAWING ILLUSTRATES A STANDARD EXTERNALLY CONFIGURED SQ-SERIES SMITH PUMP ASSEMBLY, WHICH TYPICALLY INCLUDES A 5/8 X 5/8 SMITH COUPLING AND A FLAT FACE, 56C FRAME, RIGID BASE, FRACTIONAL HP MOTOR. THIS TYPICAL ASSEMBLY IS SHOWN CENTERED ON AN OPTIONAL SMITH 13 X 28 REINFORCED STEEL BASE. SOME DIMENSIONS SHOWN ABOVE ARE AVERAGE VALUES, EVEN THOUGH THE PUMP, BASE, AND MOTOR MOUNTING DIMENSIONS REMAIN UNCHANGED; HOWEVER, WHEN THERE ARE DIFFERENT HORSEPOWER RATINGS, RPM RATINGS, OR OTHER MANUFACTURING VARIANCES IN THE SAME 56C FRAME SIZE, THE OVERALL LENGTH DIMENSION, AND POSSIBLY THE HEIGHT OR WIDTH OF THE MOTOR, WILL NOT BE EXACTLY THE SAME AS IN THE ILLUSTRATION ABOVE. ALSO, SPECIALLY-CONFIGURED SQ-SERIES UNITS UTILIZING 1-INCH DIAMETER DRIVE SHAFTS (NOT SHOWN), INCREASE THE LENGTH OF THE PUMP-MOTOR ASSEMBLY. SEE SPECIFIC MODEL APPLICATION INFORMATION, AND MOTOR MANUFACTURER'S DATA.



DIMENSION DRAWING
STD. SQ-SERIES UNIT
MOUNTED TO 13 X 28 BASE

SMITH PRECISION PRODUCTS COMPANY
1299 LAWRENCE DRIVE
NEWBURY PARK, CA 91320

RSS 3-15-06

D-SQ-EM-BC