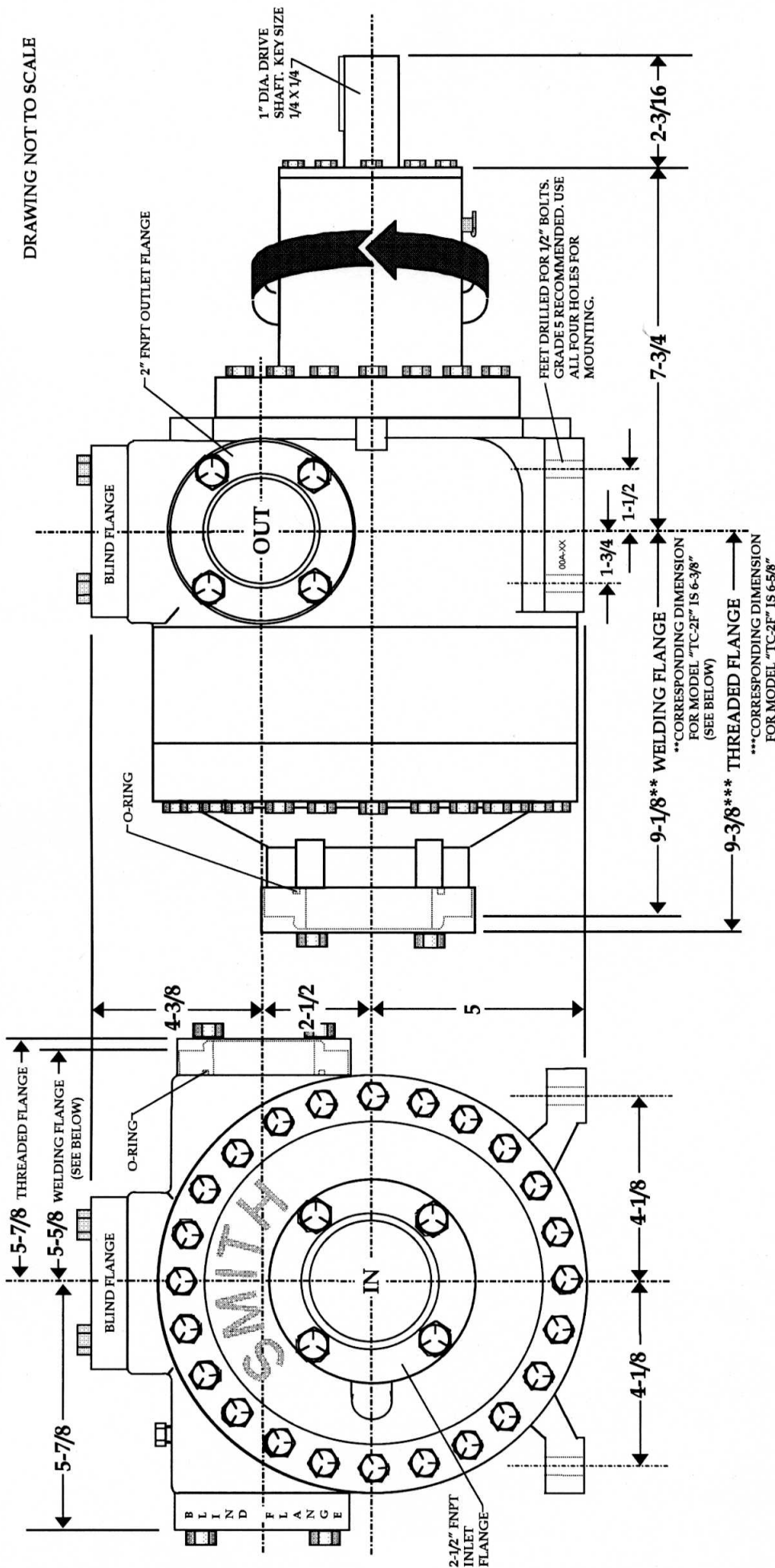


DRAWING NOT TO SCALE



ALL DIMENSIONS IN INCHES TO ±1/16 TOLERANCE.

DIMENSION DRAWING

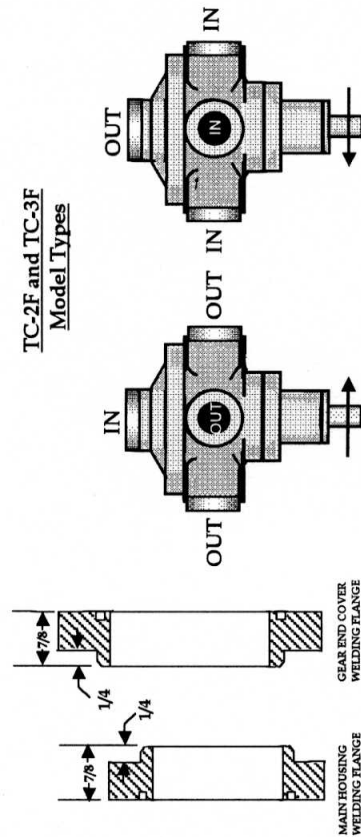
SMITH MODEL TYPES TC-2F AND TC-3F

SMITH PRECISION PRODUCTS CO.
1299 LAWRENCE DRIVE
NEWBURY PARK, CA 91320

R ss 11-15-97

DTC-2-3F

TC-2F and TC-3F Model Types



NOTE: THIS DRAWING IS INTENDED FOR MODELS "TC-2F", "TC-2F NS", "TC-2F SA", "TC-2F NSSA", "TC-3F", "TC-3F NS", "TC-3F SA", "TC-3F NSSA", AND SPECIAL "S" VERSIONS OF THE ABOVE, WITH OR WITHOUT THE "Z" OPTION. ALL OF THESE UNITS INCLUDE SMITH FLAT-FACED DESIGN STEEL COMPANION FLANGES WHICH USE O-RINGS IN PLACE OF GASKETS. THE USUAL FLANGED CONFIGURATION IS SHOWN ABOVE; HOWEVER, BUTT-WELD FLANGES ARE ALSO AVAILABLE (SEE SKETCHES TO THE RIGHT). THE THREE MAIN HOUSING FLANGES CAN BE INTERCHANGED FOR CONVENIENCE IN PIPING. MORE THAN ONE OPENING FLANGE MAY BE INSTALLED ON THE MAIN HOUSING PORTS FOR SIMULTANEOUS USE, AS REQUIRED. IN MOST CASES THE 2-1/2" END PORT IS USED FOR THE INLET, ALTHOUGH THE PUMPS ARE REVERSIBLE AS SHOWN IN THE SKETCHES TO THE RIGHT. IN THE ABOVE DRAWING, A "TC-3F" MODEL TYPE WITH TWO THREADED FLANGES, IS RUNNING IN THE USUALLY RECOMMENDED "CLOCKWISE" DIRECTION. THE "TC-2F" IS IDENTICALLY DIMENSIONED IN EVERY WAY TO THE "TC-3F", EXCEPT THAT IT IS ASSEMBLED WITHOUT THE SECONDARY GEAR HOUSING MODULE WHICH MAKES IT 2-3/4" SHORTER (NOTE THE LENGTH DIMENSIONS, ABOVE).

ONLY PUMPS WITH THREADED FLANGES ARE LISTED FOR LPG SERVICE. BE SURE TO CAREFULLY READ AND FOLLOW ALL SAFETY CODES AND PRACTICES INVOLVING THE USE OF THIS LIQUID TRANSFER PUMP. CONTACT THE FACTORY IF THERE ARE ANY QUESTIONS.