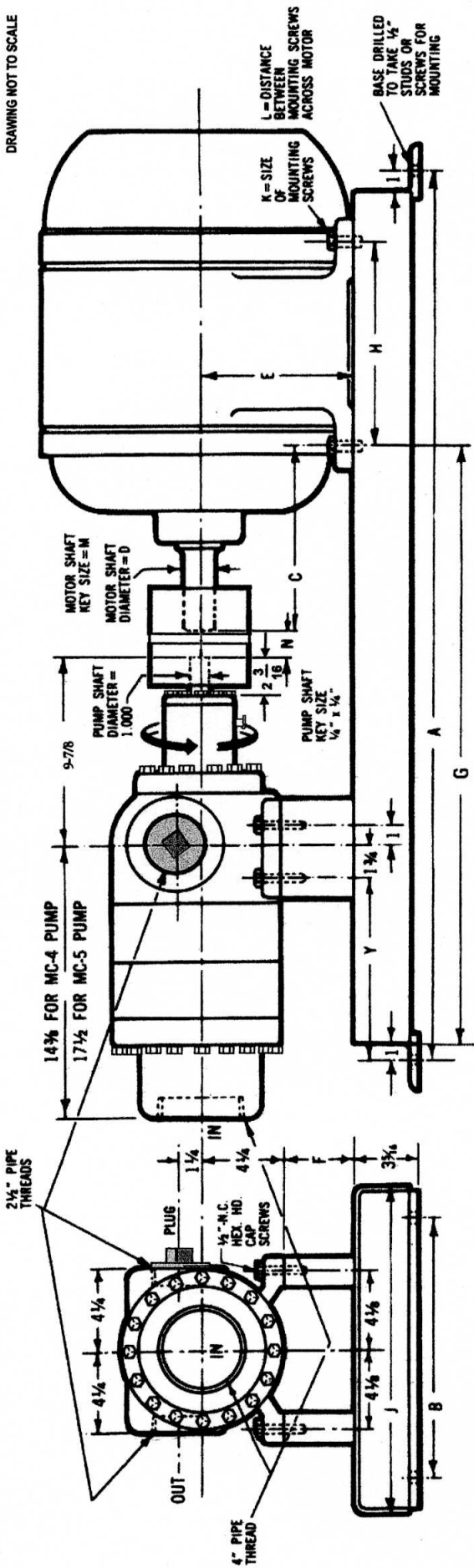


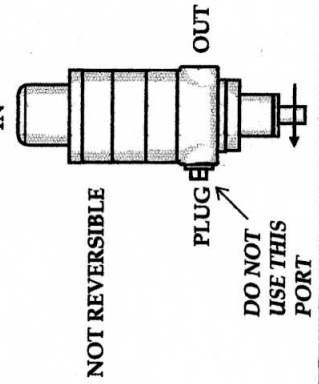
DRAWING NOT TO SCALE



MOTOR FRAME NO.	A	B	C	D	E	F	G	H	*	J	K	L	M	N	Y
286U	38	12	9 5/8	1 5/8	7	2 3/4	23 3/4	11	VC-50	15	7/16-14T	11	3/8 x 3/8	1 3/8	2 1/4
284U	38	12	9 5/8	1 5/8	7	2 3/4	23 3/4	9 1/2	VC-50	15	7/16-14T	11	3/8 x 3/8	1 3/8	2 1/4
286U	38	9 1/2	8	1 3/8	6 1/4	2	23 3/4	10	VC-50	13	7/16-14T	10	5/16 x 5/16	1 3/8	3 7/8
286T	38	9 1/2	8 1/4	1 5/8	6 1/4	2	23 3/4	10	VC-50	13	7/16-14T	10	3/8 x 3/8	1 3/8	3 5/8
284U	38	9 1/2	8	1 3/8	6 1/4	2	23 3/4	8 1/4	VC-50	13	7/16-14T	10	5/16 x 5/16	1 3/8	3 7/8
284T	38	9 1/2	8 1/4	1 5/8	6 1/4	2	23 3/4	8 1/4	VC-50	13	7/16-14T	10	3/8 x 3/8	1 3/8	3 5/8
215T	38	9 1/2	6 7/8	1 3/8	5 1/4	1	24 5/8	7	VC-50	13	3/8-18T	8 1/2	5/16 x 5/16	1 3/8	5 7/8
215	38	9 1/2	6 1/2	1 1/8	5 1/4	1	24 5/8	7	VC-40	13	3/8-18T	8 1/2	1/4 x 1/4	1	6 5/8
213T	38	9 1/2	6 7/8	1 3/8	5 1/4	1	24 5/8	5 1/2	VC-50	13	3/8-18T	8 1/2	5/16 x 5/16	1 3/8	5 7/8
184T	38	9 1/2	5 1/2	1 1/8	4 1/2	1/4	24 5/8	5 1/2	VC-40	13	3/8-18T	7 1/2	1/4 x 1/4	1	7 5/8
286T	38	12	9 3/8	1 7/8	7	2 3/4	23 3/4	11	VC-50	15	7/16-14T	11	1/2 x 1/2	1 3/8	2 1/2
284T	38	12	9 3/8	1 7/8	7	2 3/4	23 3/4	9 1/2	VC-50	15	7/16-14T	11	1/2 x 1/2	1 3/8	2 1/2

All dimensions in dimension table and on drawing represent inches, ±1/16.
 * Coupling size normally used to connect pump and motor shafts.

This drawing is intended for use with models "MC-4", "MC-4 NS", "MC-4 SA", "MC-4 NNSA", "MC-4H", "MC-4H NS", "MC-4H SA", "MC-4H NNSA", "MC-5", "MC-5 NS", "MC-5 SA", "MC-5 NNSA", "MC-5H", "MC-5H NS", "MC-5H SA", "MC-5H NNSA" and special ("S" or "L") versions of the same, with or without the "Superseal" ("Z") Option.



DIMENSION DRAWING

SMITH MODEL TYPES MC-4, MC-4H, MC-5, AND MC-5H

SMITH PRECISION PRODUCTS CO.
 1299 LAWRENCE DRIVE
 NEWBURY PARK, CALIF.

RSS 2-13-03
 RLS 3-17-08
 RLS 7-1-08

DMC-4-5 H