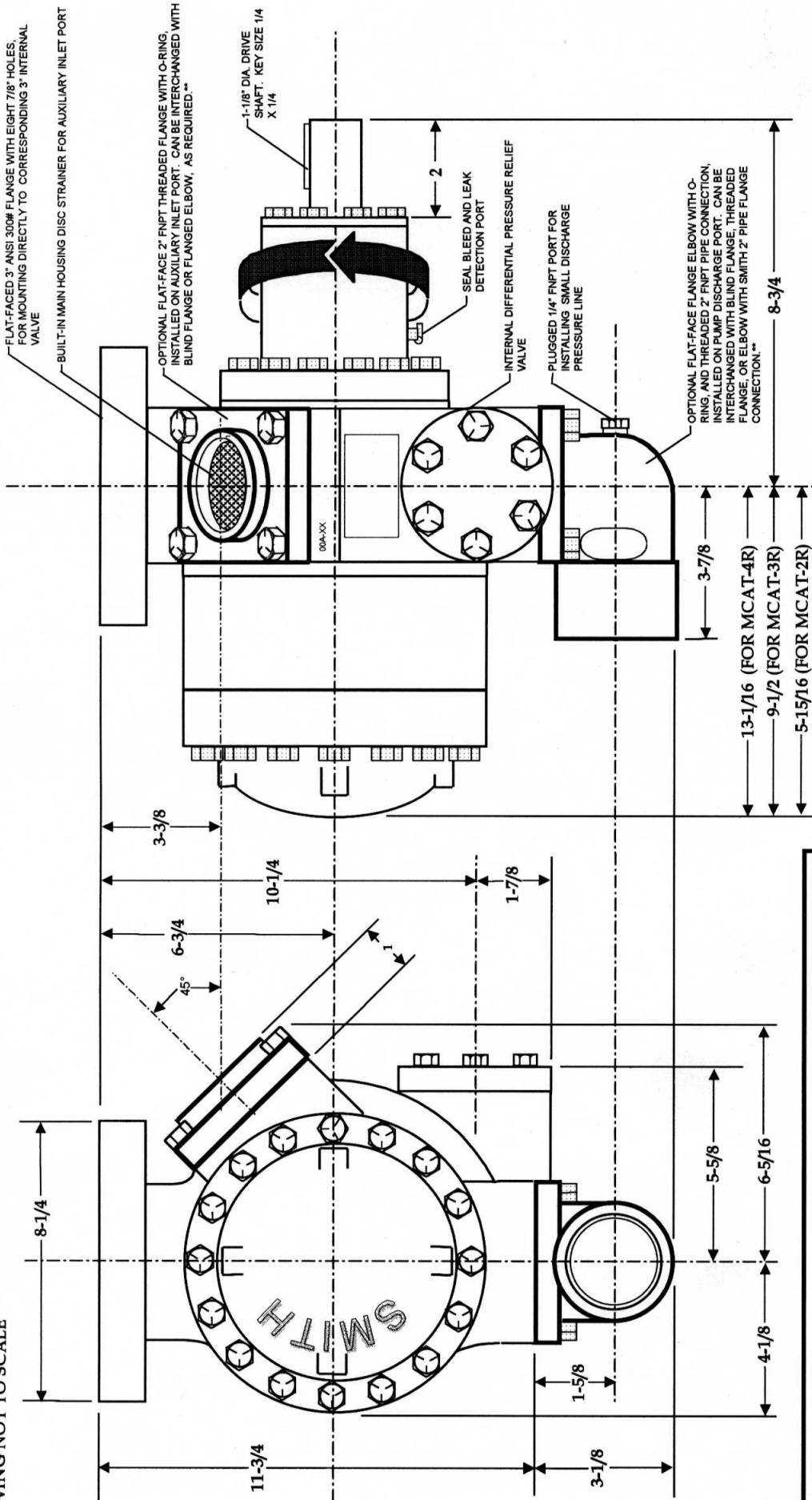


DRAWING NOT TO SCALE

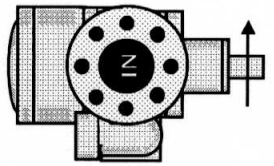


** SEE ASSEMBLY DRAWING "MCAT-R1", CATALOG "CP-3", TECHNICAL BULLETIN "AL-58", DRAWINGS "DMCAT-2-3-4 L", "DATC-3 R1H", AND OTHER SMITH LITERATURE FOR ADDITIONAL INFORMATION.

NOTE: THIS DIMENSION DRAWING IS INTENDED FOR USE WITH MODELS "MCAT-2R", "MCAT-3R", "MCAT-4R", AND SPECIAL "S" VERSIONS OF THE SAME, WITH OR WITHOUT THE "Z" OPTION. STANDARD PORTING CONFIGURATIONS ARE SIMILAR TO THOSE SHOWN, BUT THERE ARE ADDITIONAL OPTIONS. THESE INCLUDE A FLANGED DISCHARGE PORT THROUGH THE GEAR END COVER OPPOSITE THE DRIVE SHAFT, WHERE THE "ATC-21C" FLANGED COVER REPLACES THE "M-2" BLIND COVER SHOWN ABOVE. NONE OF THESE UNITS, WHETHER IN STANDARD OR SPECIAL CONFIGURATIONS, ARE REVERSIBLE. IN THIS PARTICULAR DIMENSION DRAWING, THE DRIVE SHAFT ROTATIONAL DIRECTION OF THE 3" BELLY-MOUNTED UNIT IS DETERMINED BY A STANDARD PTO, WHICH IS SET-UP TO DRIVE THE PUMP EXCLUSIVELY IN A "CLOCKWISE" DIRECTION, AS VIEWED FACING THE CAB END OF THE CHASSIS WITH THE PUMP SHAFT POINTING TOWARD THE OBSERVER. (SEE THE SKETCH TO THE RIGHT). "MCAT-L" MODELS ARE UTILIZED WHEN THE PUMP MUST BE DRIVEN IN THE OPPOSITE DIRECTION OF ROTATION.

CAREFULLY READ AND FOLLOW ALL APPLICABLE SAFETY CODES AND PRACTICES INVOLVING THE USE OF THIS PUMP IN LIQUID TRANSFER SERVICE, ESPECIALLY WITH FLAMMABLES SUCH AS LPG. READ AND FOLLOW CAREFULLY ALL MANUFACTURER'S INSTRUCTIONS. AVOID ANY POTENTIALLY DANGEROUS SITUATIONS. CALL THE FACTORY IF THERE ARE ANY QUESTIONS.

MCAT-2R, 3R, and 4R



ALL DIMENSIONS IN INCHES TO ±1/16 TOLERANCE.

DIMENSION DRAWING

SMITH MODELS MCAT-2R, MCAT-3R, AND MCAT-4R

SMITH PRECISION PRODUCTS CO.

1299 LAWRENCE DRIVE

NEWBURY PARK, CA 91320

R_{SS} 1-7-98

DMCAT-2-3-4 R