

Low Rpm Truck Pumps

Flow Rates of 35– 100 GPM (379 – 946 LPM)



TC-3

- Our low RPM truck pumps are designed for operation by power take off or by engine
- 4 Ports available for ease of pipework installation (3 ports for TC-1044H)
- Can be mounted sideways or upside down
- Available in flanged version
- Reversible

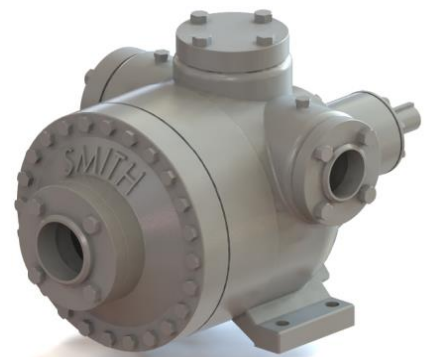
MODEL	FLOW RATE (Assume 0 psi differential pressure)	PUMP INLET SIZE	PUMP OUTLET SIZE	USUAL SIZE OF TANK LIQUID OUTLET	NPSH _r	FLANGE
TC-1044H MAX 900 RPM	35 GPM (133 LPM) @ 900 RPM	1- ½"	1- ½"	1- ½" – 2"	1 ft.	NO
TC-2 MAX 500 RPM	50 GPM (190 LPM) @ 500 RPM	2- ½"	2- ½"	2-3"	1 ft.	NO
TC-2F MAX 500 RPM	50 GPM (190 LPM) @ 500 RPM	2- ½"	2"	2-3"	1 ft.	YES
TC-3 MAX 500 RPM	100 GPM (380 LPM) @ 500 RPM	2- ½"	2- ½"	3"	1 ft.	NO
TC-3F MAX 500 RPM	100 GPM (380 LPM) @ 500 RPM	2- ½"	2"	3"	1 ft.	YES



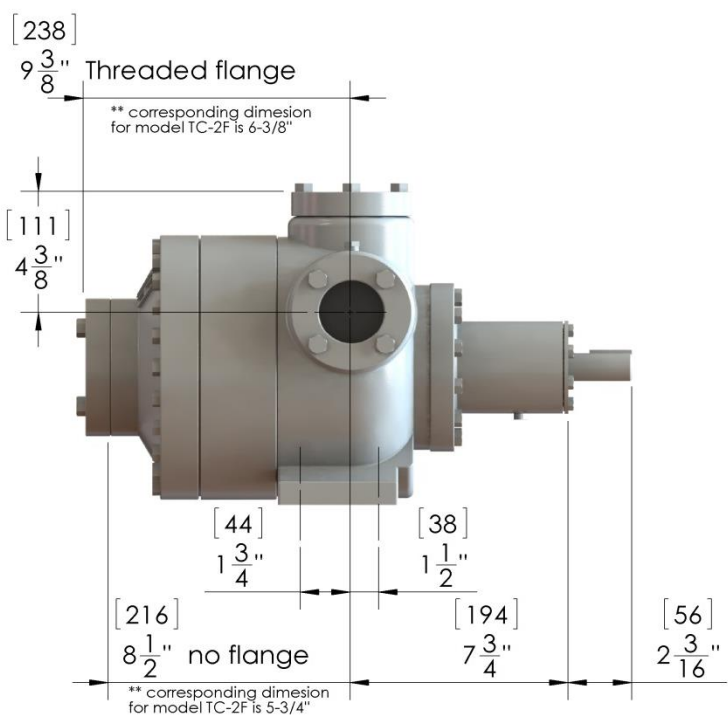
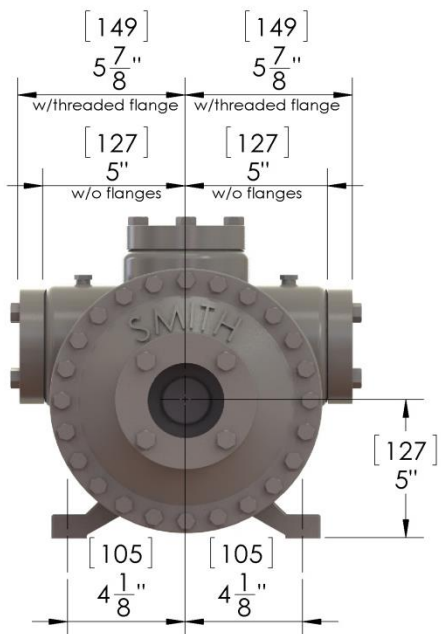
TC-3 Threaded Housing



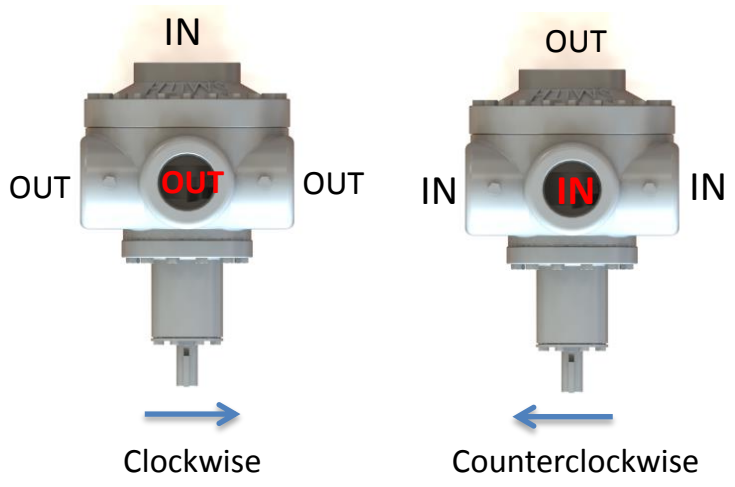
TC-3F Threaded Flange



TC-3F Butt-Weld Flange



PUMP SHAFT DIAMETER = 1" [25]
 PUMP DRIVE SHAFT KEY SIZE 1/4" [6] X 1/4" [6]
 PUMP DIMENSIONS ARE FOR TC-2, TC-2F, TC-3, TC-3F PUMPS,
 2-1/2" NPT INLET AND OUTLET W/O FLANGES, 2" INLET AND
 OUTLET WITH FLANGES
 FLANGED UNITS INCLUDE BLIND FLANGES FOR UNUSED PORTS
 * ALL DIMENSIONS ±1/16 IN INCHES, [] DENOTES MM
 **FOR A MORE DETAILED DRAWING, OR FOR TC-1044H
 DRAWING, PLEASE VISIT SMITHPUMPS.COM



NOTE: ONE OUTLET MAY BE USED WITH 2 BLIND FLANGES INSTALLED ON UNUSED OUTLET PORTS. THE TC-1044H DOES NOT CONTAIN A TOP PORT.

Model	Weight (Pump only)
TC-1044H	50 lbs (23 kg)
TC-2, TC-2F	100 lbs (45 kg)
TC-3, TC-3F	135 lbs (62 kg)

* Weight varies depending on motor, contact factory for specific weight

Pump Performance Curves

For specific refrigerant performance curves, please contact our engineering department or visit our predicted pump performance calculator at smithpumps.com