

Small Capacity Pumps

SQ-Series Pumps

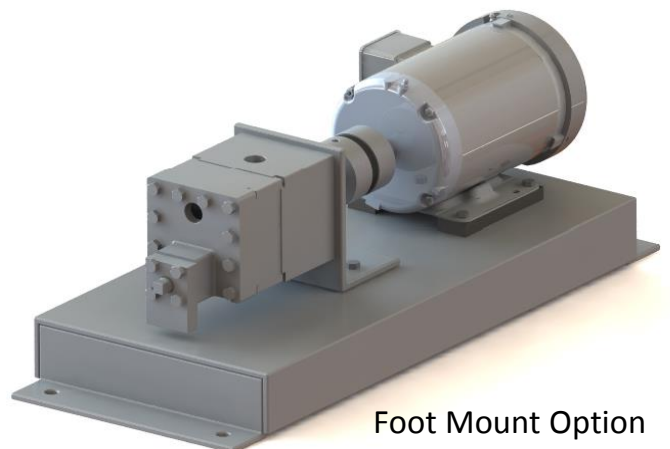
Flow Rates of 2-13 GPM (7-50 LPM)



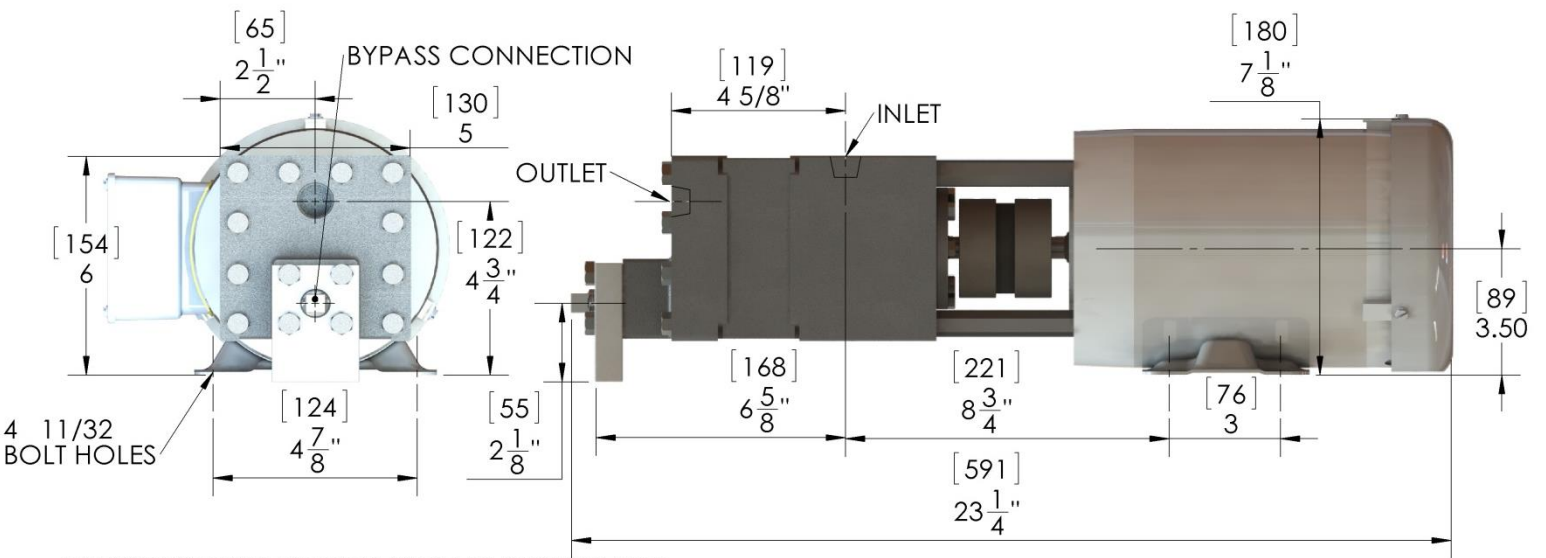
- Designed specifically for continuous duty recirculation systems
- Larger mechanical seal provides longer wear life
- Easily mounts directly to motor face with feet; no base required
- Foot mount available upon request
- No lubrication/greasing ever required

MODEL	FLOW RATE (Assume 0 psi/bar differential pressure)	PUMP INLET SIZE	PUMP OUTLET SIZE	USUAL SIZE OF TANK LIQUID OUTLET	MOTOR	NPSHr
SQ-1 MAX 1800 RPM	5 GPM (19 LPM) @ 1800 RPM 2.5 GPM (10 LPM) @ 900 RPM	¾" OR 1"	¾"	¾" – 1- ¼"	0.25 - 0.5 HP (0.19 - 0.37 kW)	6"
SQ-H MAX 1800 RPM	7 GPM (26 LPM) @ 1800 RPM 3.5 GPM (13 LPM) @ 900 RPM	¾" OR 1"	¾"	¾" – 1- ¼"	0.25 - 1 HP (0.19 - 0.75 kW)	6"
SQ-HH MAX 1800 RPM	13 GPM (49 LPM) @ 1800 RPM 6 GPM (23 LPM) @ 900 RPM	¾" OR 1"	¾"	¾" – 1- ¼"	0.5 - 1.5 HP (0.37 – 1.1 kW)	6"
SQ-HH8 MAX 1200 RPM	13 GPM (49 LPM) @ 1200 RPM 10 GPM (38 LPM) @ 900 RPM	¾" OR 1"	¾"	¾" – 1- ¼"	0.5 - 1.5 HP (0.37 – 1.1 kW)	6"

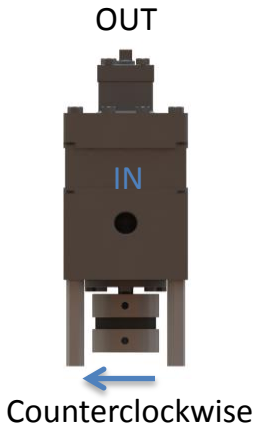
The SQ-series pumps are ideal for continuous duty, broad temperature range applications as well as variable viscosity liquids for recirculation systems or test chambers. A non-adjustable external bypass valve built into the cover, preset at 90 psi (6.1 bar) over tank pressure, is standard. For applications requiring higher than 90 psid, this bypass valve is removed and an external bypass valve is recommended. 110 psi (7.5 bar) bypass valve setting is also available.



Foot Mount Option



DIMENSIONS SHOWN ARE FOR 56-C FRAME MOTOR WITH FEET
 PUMP SHAFT DIAMETER = 5/8" [16] STANDARD OR 1" [25] OPTION
 MOTOR SHAFT DIAMETER = 5/8" [25] FOR 56-C FRAME MOTOR
 PUMP DIMENSIONS ARE FOR SQ-1, SQ-H, SQ-HH, AND SQ-HH8 MODELS WITH 5/8" [25] DIAMETER PUMP SHAFT
 OVERALL PUMP DIMENSIONS ARE LONGER FOR 1" [25] DIAMETER PUMP SHAFT
 3/4" FNPT INLET AND OUTLET, 1" OUTLET ALSO AVAILABLE ON TOP OR SIDE OF PUMP
 * ALL DIMENSIONS IN INCHES, [] DENOTES MM
 **FOR A MORE DETAILED DRAWING, PLEASE VISIT SMITHPUMPS.COM



Model	Weight (Pump only)	Weight (Pump, coupling, motor)
ALL SQ MODELS	39-45 lbs (17-21 kg)	75-90 lbs (34-40 kg)

* Weight varies depending on pump model and motor, contact factory for specific weight

Pump Performance Curves

For continuous duty operation (over 2 hours "ON" time during one time period), we recommend reducing the RPM and specifying our heavy duty "NSSA" option.

For specific refrigerant performance curves, please contact our engineering department or visit our predicted pump performance calculator at smithpumps.com

Small Capacity Pumps

MC-1, GC-1 Series Pumps

Flow Rates of 2.5 – 5 GPM (9-19 LPM)



MC-1 PUMP

- Strongly recommended as having the lowest long-run cost where heavy duty and maximum performance are required.
- Both pump models are easily mounted directly to the motors with feet, no base required.
- Foot mount is also available.
- Both pumps can be rotated upside down to accommodate pipework inlet/outlet.

MODEL	FLOW RATE (Assume 0 psi differential pressure)	PUMP INLET SIZE	PUMP OUTLET SIZE	USUAL SIZE OF TANK LIQUID OUTLET	MOTOR	NPSHr
MC-1 MAX 1800 RPM	5 GPM (19 LPM) @ 1800 RPM 2.5 GPM (9 LPM) @ 900 RPM	3/4"	3/4"	3/4"	0.25 – 1 HP (0.19 – 0.75 kW)	6"
GC-1 MAX 1800 RPM	5 GPM (19 LPM) @ 1800 RPM 2.5 GPM (9 LPM) @ 900 RPM	3/4"	3/4"	3/4"	0.25 – 1 HP (0.19 – 0.75 kW)	6"

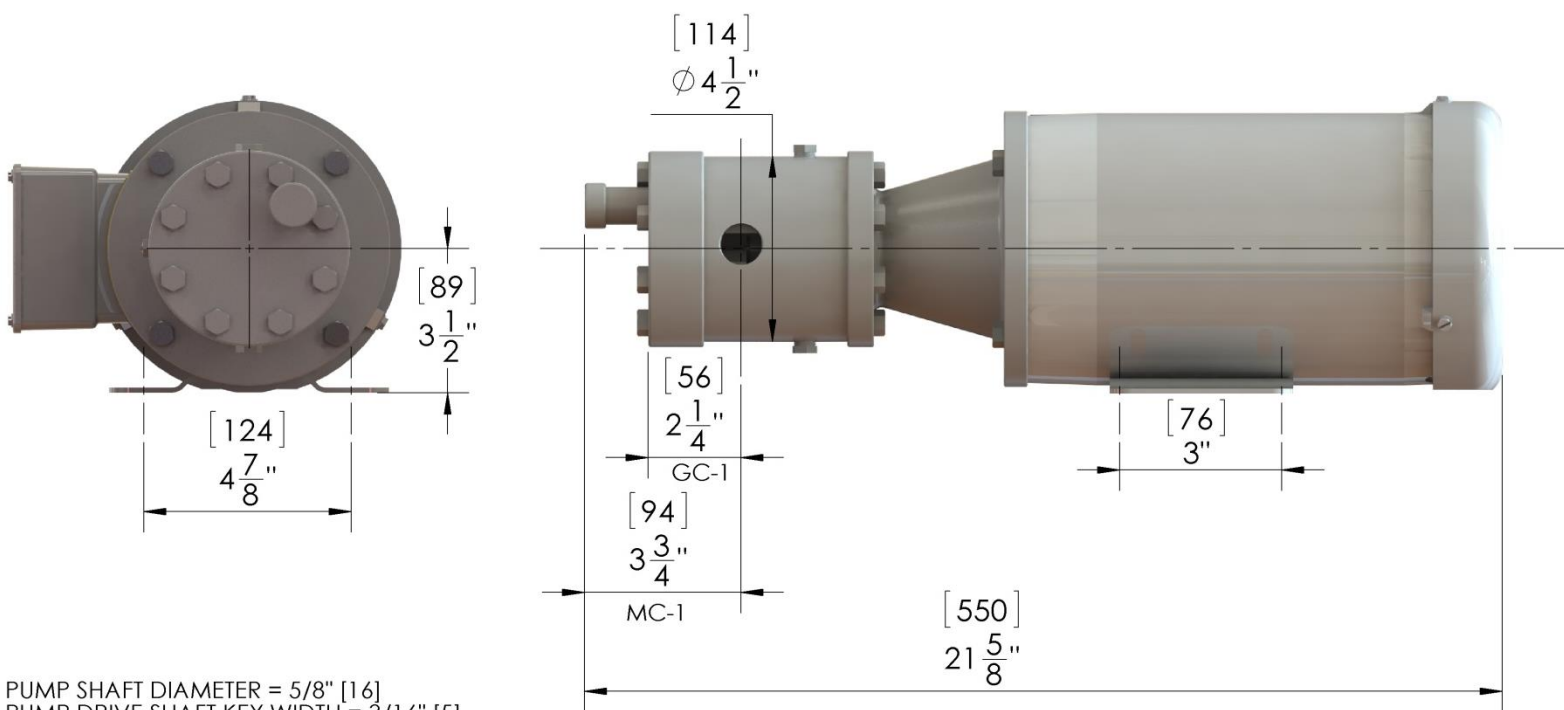
The MC-1 contains an internal, *adjustable* bypass relief valve set at 100 psid with maximum setting of 110 psid.

The GC-1 contains an internal, *permanently* set bypass valve at 100 psid. 150 psid option is also available. The GC-1 mechanical seal is exposed to inlet pressure only, extending shaft seal life.

External bypass valves are recommended.



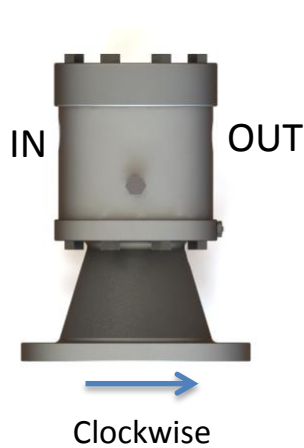
GC-1 PUMP



PUMP SHAFT DIAMETER = 5/8" [16]
 PUMP DRIVE SHAFT KEY WIDTH = 3/16" [5]
 PUMP DIMENSIONS ARE FOR MC-1 AND GC-1 PUMPS, 3/4" INLET AND OUTLET
 MOTOR SHAFT SIZE = 5/8" [16]
 MOTOR DIMENSIONS ARE FOR 56C FRAME MOTOR WITH FEET, 1 HP (.75 kW)
 * ALL DIMENSIONS \pm 1/16 IN INCHES, [] DENOTES MM
 **FOR A MORE DETAILED DRAWING, PLEASE VISIT SMITHPUMPS.COM

MC-1

GC-1



Model	Weight (Pump only)	Weight (Pump, coupling, motor)
MC-1, GC-1	20 lbs (9 kg)	75 lbs (34 kg)

* Weight varies depending on pump model and motor, contact factory for specific weight

Pump Performance Curves

For continuous duty operation (over 2 hours "ON" time during one time period), we recommend reducing the RPM and specifying our heavy duty "NSSA" option.

For specific refrigerant performance curves, please contact our engineering department or visit our predicted pump performance calculator at smithpumps.com

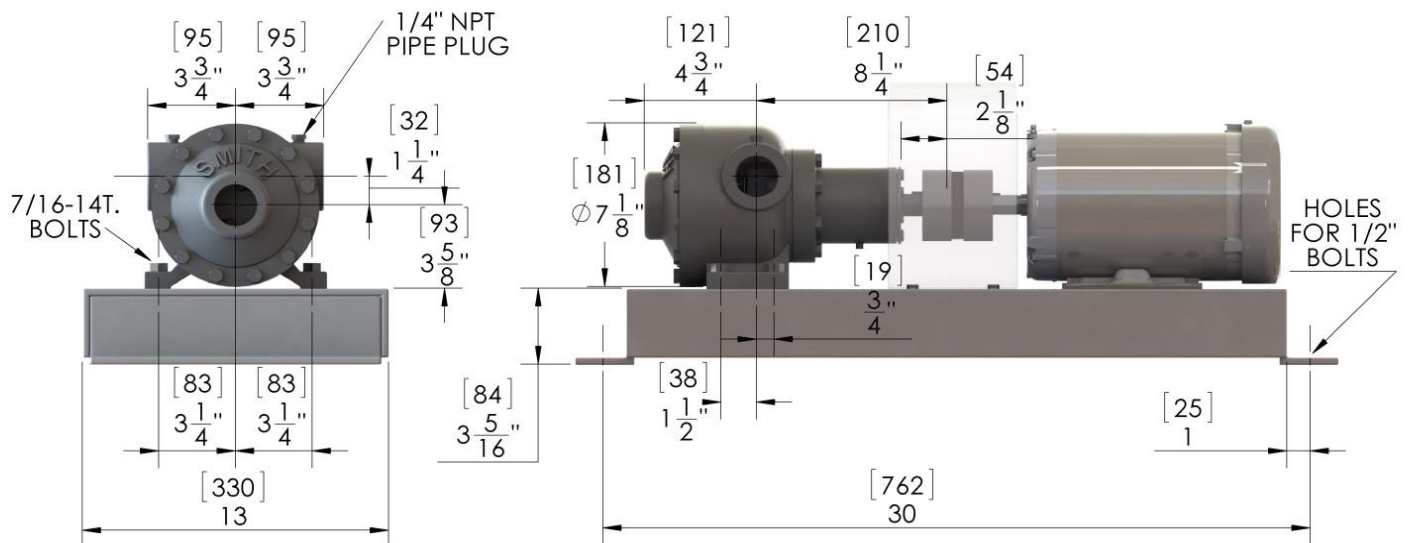
Medium Capacity Pumps

Flow Rates of 10-35 GPM (38-133 LPM)



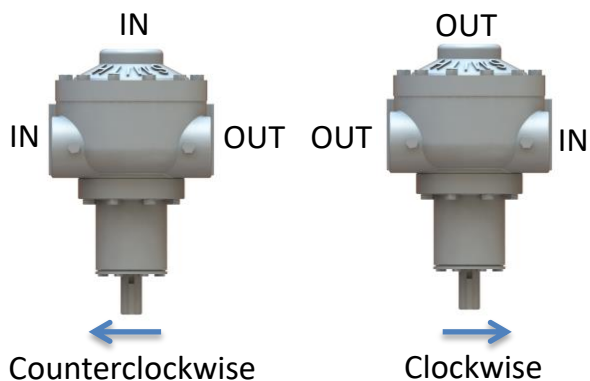
- Ideal for small bulk transfer applications or truck loading/unloading
- Extra inlet in cover eliminates elbows
- Reversible
- Two ¼" NPT ports in main housing for pressure gauge or hydrostatic relief valve

MODEL	FLOW RATE (Assume 0 psi differential pressure)	PUMP INLET SIZE	PUMP OUTLET SIZE	USUAL SIZE OF TANK LIQUID OUTLET	MOTOR	NPSHr
MC-1044 MAX 1800 RPM	20 GPM (76 LPM) @ 1800 RPM 17 GPM (64 LPM) @ 1500 RPM 13 GPM (49 LPM) @ 1200 RPM 10 GPM (38 LPM) @ 900 RPM	1- ½"	1- ½"	1- ½" - 2"	1.5 – 2 HP (1.1 – 1.5 kW)	1 ft.
MC-1044H MAX 1800 RPM	35 GPM (133 LPM) @ 1800 RPM 29 GPM (110 LPM) @ 1500 RPM 23 GPM (87 LPM) @ 1200 RPM 18 GPM (68 LPM) @ 750 RPM	1- ½"	1- ½"	1- ½" - 2"	2 – 3 HP (1.5 – 2.2 kW)	1 ft.



PUMP SHAFT DIAMETER = 1" [25]
 PUMP DRIVE SHAFT KEY SIZE 1/4" [6] X 1/4" [6]
 BOTH MC-1044 AND MC-1044H CONTAIN SAME EXTERNAL DIMENSIONS
 MOTOR SHAFT SIZE = 7/8" [22]
 MOTOR DIMENSIONS ARE FOR 143T FRAME, 2 HP (1.5 kW), 1800 RPM MOTOR, OTHER FRAME SIZES AVAILABLE
 * ALL DIMENSIONS ±1/16 IN INCHES, [] DENOTES MM
 **FOR A MORE DETAILED DRAWING, PLEASE VISIT SMITHPUMPS.COM

Both MC-1044 & MC-1044H pumps are reversible for loading/unloading applications



Model	Weight (Pump only)	Weight (Pump, base, coupling, coupling guard, motor)
MC-1044	45 lbs (21 kg)	190-230 lbs* (85-105 kg)
MC-1044H	45 lbs (21 kg)	190-265 lbs* (85-120 kg)

* Weight varies depending on motor, contact factory for specific weight

Pump Performance Curves

For continuous duty operation (over 2 hours "ON" time during one time period), we recommend reducing the RPM and specifying our heavy duty "NSSA" option.

For specific refrigerant performance curves, please contact our engineering department or visit our predicted pump performance calculator at smithpumps.com

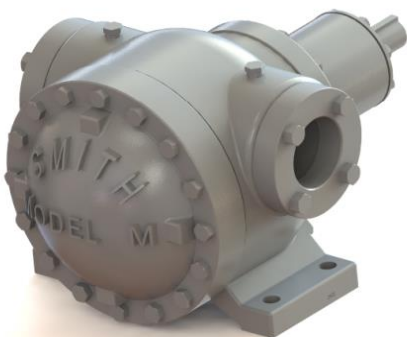
Medium Capacity Pumps

Flow Rates of 25-50 GPM (38-190 LPM)

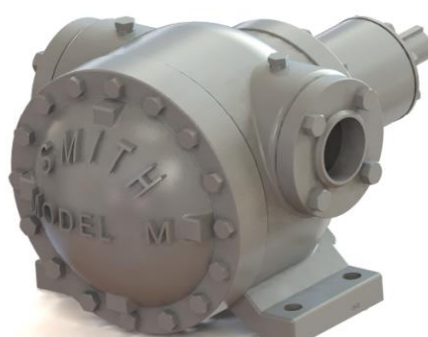


- Developed for 50 Hz Countries, the MC-2H has identical flow rate as the MC-2 (1800 RPM) when operated at 1500 RPM
- For increased pump longevity, operate a “non-H” pump at 1500 RPM or lower
- Our “F” type pumps come with flanges available in the threaded, butt-weld, or socket-weld versions
- Reversible

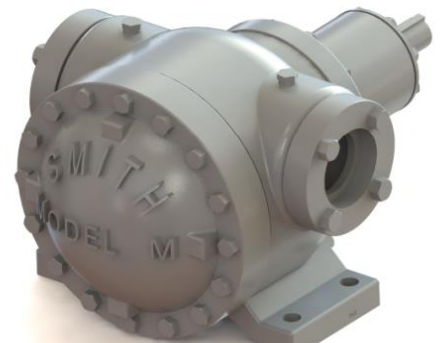
MODEL	FLOW RATE (Assume 0 psi differential pressure)	PUMP INLET SIZE	PUMP OUTLET SIZE	USUAL SIZE OF TANK LIQUID OUTLET	MOTOR	NPSHr	FLANGE
MC-2 MAX 1800 RPM	50 GPM (190 LPM) @ 1800 RPM 42 GPM (159 LPM) @ 1500 RPM 25 GPM (38 LPM) @ 900 RPM	2- ½”	2- ½”	2-3”	3 – 5 HP (2.2 – 3.7 kW)	1 ft.	NO
MC-2H MAX 1500 RPM	50 GPM (190 LPM) @ 1500 RPM 40 GPM (151 LPM) @ 1200 RPM 25 GPM (38 LPM) @ 750 RPM	2- ½”	2- ½”	2-3”	3 – 5 HP (2.2 – 3.7 kW)	1 ft.	NO
MC-2F MAX 1800 RPM	50 GPM (190 LPM) @ 1800 RPM 42 GPM (159 LPM) @ 1500 RPM 25 GPM (38 LPM) @ 900 RPM	2”	2”	2-3”	3 – 5 HP (2.2 – 3.7 kW)	1 ft.	YES
MC-2HF MAX 1500 RPM	50 GPM (190 LPM) @ 1500 RPM 40 GPM (151 LPM) @ 1200 RPM 25 GPM (38 LPM) @ 750 RPM	2”	2”	2-3”	3 – 5 HP (2.2 – 3.7 kW)	1 ft.	YES



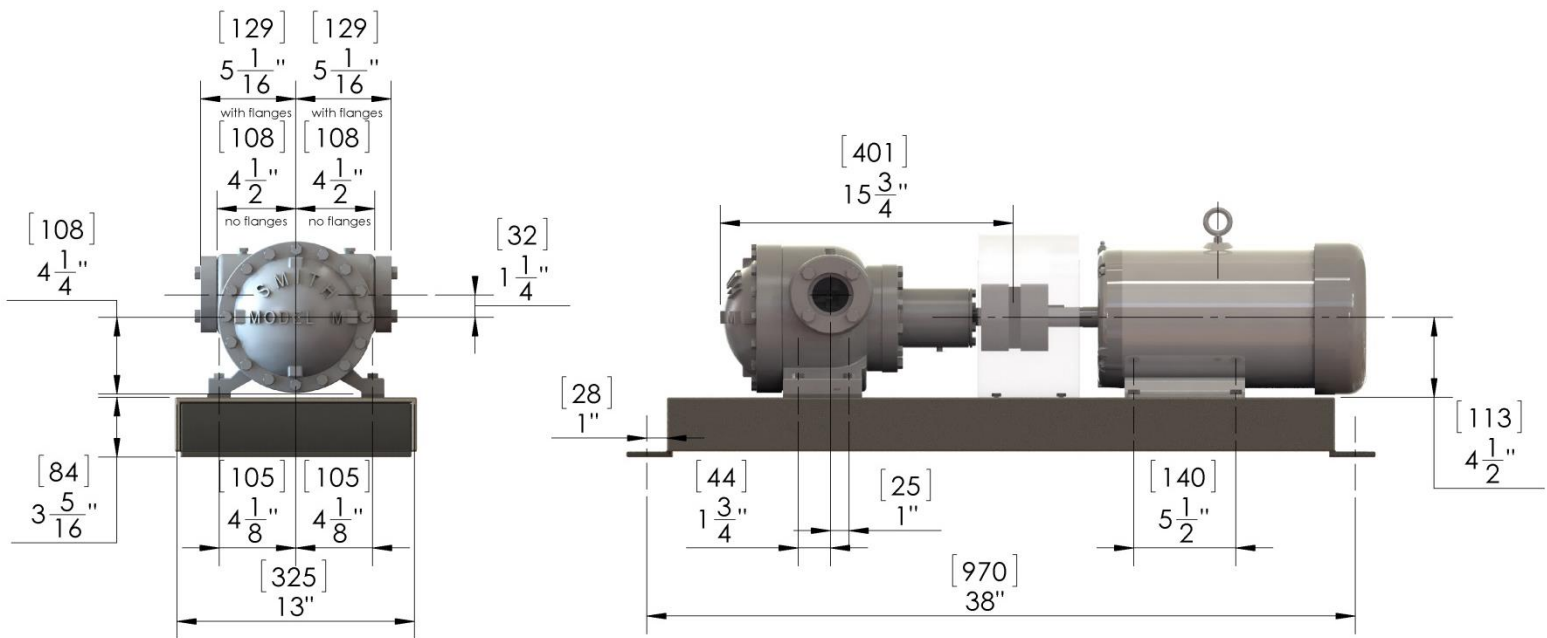
Threaded Flange



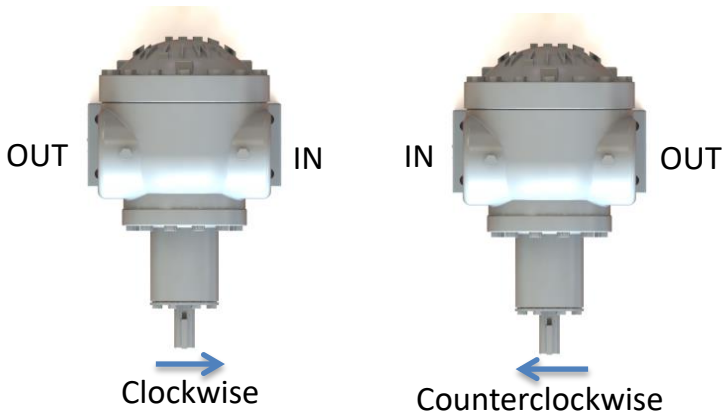
Butt-Weld Flange



Socket Weld Flange



PUMP SHAFT DIAMETER = 1" [25]
 PUMP DRIVE SHAFT KEY SIZE 1/4" [6] X 1/4" [6]
 PUMP DIMENSIONS ARE FOR MC-2, MC-2F, MC-2H, MC-2HF PUMPS, 2-1/2" NPT INLET AND OUTLET W/O FLANGES, 2" INLET AND OUTLET WITH FLANGES
 MOTOR SHAFT SIZE 1-1/8" [29]
 MOTOR DIMENSIONS ARE FOR 184T FRAME, 1800 RPM, 5 HP (3.7kW) MOTOR, OTHER FRAME SIZES AVAILABLE
 * ALL DIMENSIONS ±1/16 IN INCHES, [] DENOTES MM
 **FOR A MORE DETAILED DRAWING, PLEASE VISIT SMITHPUMPS.COM



Model	Weight (Pump only)	Weight (Pump, base, coupling, coupling guard, motor)
MC-2, MC-2H, MC-2F, MC-2HF	75 lbs (34 kg)	285-350 lbs* (129-159 kg)

* Weight varies depending on motor, contact factory for specific weight

MC-2/MC-2H pumps are reversible for loading/unloading applications

Pump Performance Curves

For continuous duty operation (over 2 hours "ON" time during one time period), we recommend reducing the RPM and specifying our heavy duty "NSSA" option.

For specific refrigerant performance curves, please contact our engineering department or visit our predicted pump performance calculator at smithpumps.com

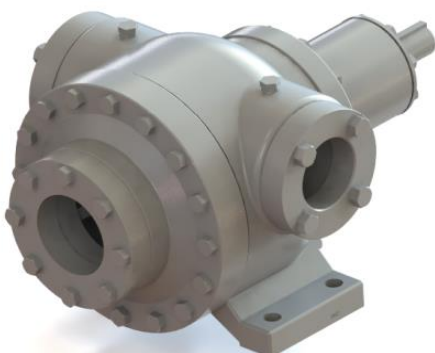
Medium Capacity Pumps

Flow Rates of 25-50 GPM (38-190 LPM)

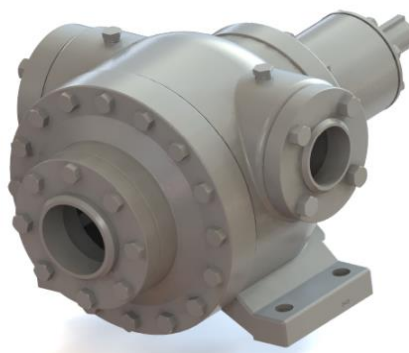


- ATC pumps contain an extra port on the inlet cover to eliminate elbows in the pipework
- Flanges come standard in threaded, butt-weld, or socket weld versions
- Identical to MC-2 type pumps, except extra port and flanges come standard

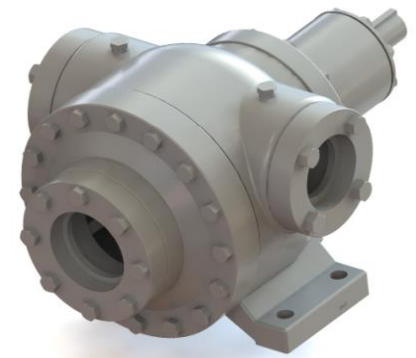
MODEL	FLOW RATE (Assume 0 psi differential pressure)	PUMP INLET SIZE	PUMP OUTLET SIZE	USUAL SIZE OF TANK LIQUID OUTLET	MOTOR	NPSHr	FLANGE
ATC-2R MAX 1800 RPM	50 GPM (190 LPM) @ 1800 RPM 42 GPM (159 LPM) @ 1500 RPM 25 GPM (38 LPM) @ 900 RPM	2- ½"	2"	2-3"	3 – 5 HP (2.2 – 3.7 kW)	1 ft.	YES
ATC-2RH MAX 1500 RPM	50 GPM (190 LPM) @ 1500 RPM 40 GPM (151 LPM) @ 1200 RPM 25 GPM (38 LPM) @ 750 RPM	2- ½"	2"	2-3"	3 – 5 HP (2.2 – 3.7 kW)	1 ft.	YES
ATC-2L MAX 1800 RPM	50 GPM (190 LPM) @ 1800 RPM 42 GPM (159 LPM) @ 1500 RPM 25 GPM (38 LPM) @ 900 RPM	2- ½"	2"	2-3"	3 – 5 HP (2.2 – 3.7 kW)	1 ft.	YES
ATC-2LH MAX 1500 RPM	50 GPM (190 LPM) @ 1500 RPM 40 GPM (151 LPM) @ 1200 RPM 25 GPM (38 LPM) @ 750 RPM	2- ½"	2"	2-3"	3 – 5 HP (2.2 – 3.7 kW)	1 ft.	YES



Threaded Flange



Butt-Weld Flange



Socket Weld Flange

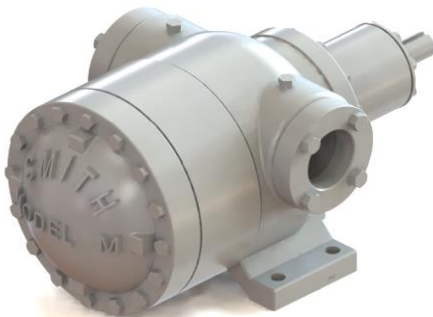
Large Capacity Pumps

Flow Rates of 50 – 100 GPM (133 – 380 LPM)



- Ideal for loading/offloading
- For increased pump longevity, operate a “non-H” pump at 1500 RPM or lower
- Our “F” type pumps come with flanges available in the threaded, butt-weld, or socket-weld versions
- Reversible

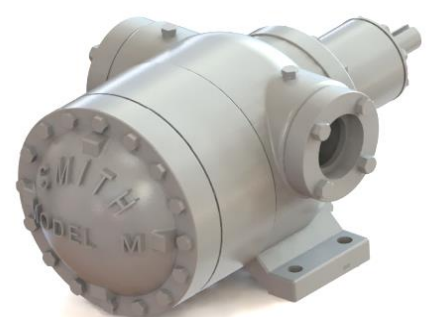
MODEL	FLOW RATE (Assume 0 psi differential pressure)	PUMP INLET SIZE	PUMP OUTLET SIZE	USUAL SIZE OF TANK LIQUID OUTLET	MOTOR	NPSHr	FLANGE
MC-3 MAX 1800 RPM	100 GPM (380 LPM) @ 1800 RPM 83 GPM (314 LPM) @ 1500 RPM 50 GPM (190 LPM) @ 900 RPM	2- ½”	2- ½”	3”	5- 7- ½” HP (3.7 – 5.6 kW)	1 ft.	NO
MC-3H MAX 1500 RPM	100 GPM (380 LPM) @ 1500 RPM 80 GPM (303 LPM) @ 1200 RPM 50 GPM (190 LPM) @ 750 RPM	2- ½”	2- ½”	3”	5- 7- ½” HP (3.7 – 5.6 kW)	1 ft.	NO
MC-3F MAX 1800 RPM	100 GPM (380 LPM) @ 1800 RPM 83 GPM (314 LPM) @ 1500 RPM 50 GPM (190 LPM) @ 900 RPM	2”	2”	3”	5- 7- ½” HP (3.7 – 5.6 kW)	1 ft.	YES
MC-3HF MAX 1500 RPM	100 GPM (380 LPM) @ 1500 RPM 80 GPM (303 LPM) @ 1200 RPM 50 GPM (190 LPM) @ 750 RPM	2”	2”	3”	5- 7- ½” HP (3.7 – 5.6 kW)	1 ft.	YES



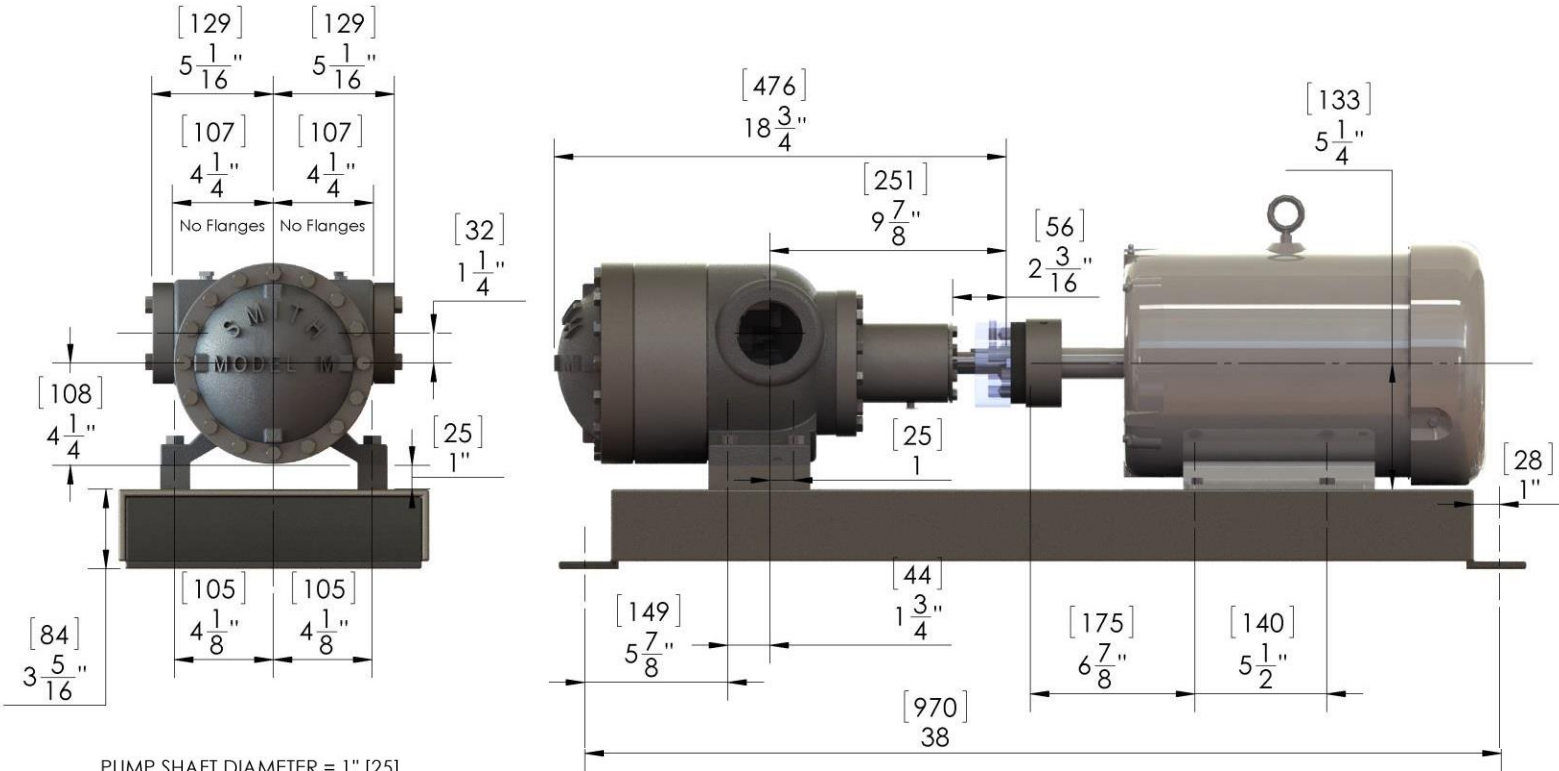
Threaded Flange



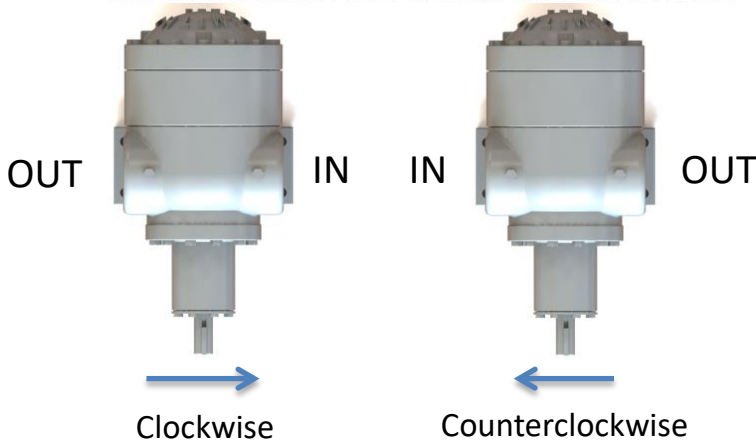
Butt-Weld Flange



Socket Weld Flange



PUMP SHAFT DIAMETER = 1" [25]
 PUMP DRIVE SHAFT KEY SIZE 1/4" [6] X 1/4" [6]
 PUMP DIMENSIONS ARE FOR MC-3, MC-3F, MC-3H, MC-3HF, & MC-2Q PUMP MODELS
 2-1/2" INLET AND OUTLET W/O FLANGES, 2" INLET AND OUTLET W/FLANGES
 MOTOR SHAFT SIZE 1-3/8" [35]
 MOTOR DIMENSIONS ARE FOR 21.3T FRAME, 7-1/2HP (5.6kW) MOTOR, OTHER FRAME SIZES AVAILABLE
 * ALL DIMENSIONS IN INCHES, [] DENOTES MM
 **FOR A MORE DETAILED DRAWING, PLEASE VISIT SMITHPUMPS.COM



Model	Weight (Pump only)	Weight (Pump, base, coupling, coupling guard, motor)
MC-3, MC-3F, MC-3H, MC-3HF, MC-2Q	100 lbs (45 kg)	350-400 lbs* (159-182 kg)

* Weight varies depending on motor, contact factory for specific weight

For models MC-3, MC-3F, MC-3H, MC-3HF

Pump Performance Curves

For continuous duty operation (over 2 hours "ON" time during one time period), we recommend reducing the RPM and specifying our heavy duty "NSSA" option.

For specific refrigerant performance curves, please contact our engineering department or visit our predicted pump performance calculator at smithpumps.com

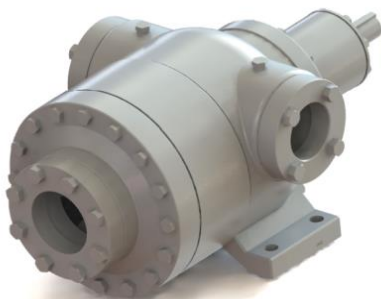
Large Capacity Pumps

Flow Rates of 50 – 100 GPM (190 – 380 LPM)

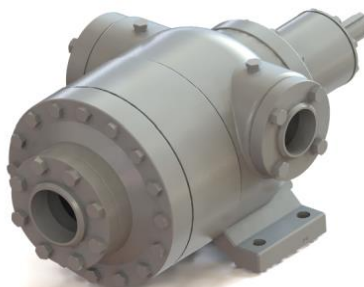


- ATC pumps contain an extra port on the inlet cover to eliminate extra elbows in pipework
- Flanges come standard in threaded, butt-weld, or socket weld versions
- Identical to MC-3 type pumps, except extra port and flanges come standard

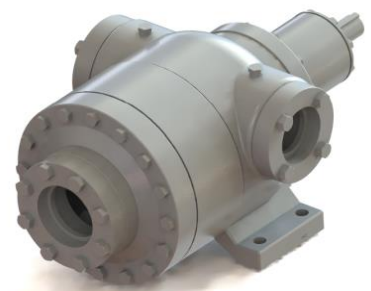
MODEL	FLOW RATE (Assume 0 psi differential pressure)	PUMP INLET SIZE	PUMP OUTLET SIZE	USUAL SIZE OF TANK LIQUID OUTLET	MOTOR	NPSHr	FLANGE
ATC-3R MAX 1800 RPM	100 GPM (380 LPM) @ 1800 RPM 83 GPM (314 LPM) @ 1500 RPM 50 GPM (190 LPM) @ 900 RPM	2- ½"	2"	3"	5- 7- ½" HP (3.7 – 5.6 kW)	1 ft.	YES
ATC-3RH MAX 1500 RPM	100 GPM (380 LPM) @ 1500 RPM 80 GPM (303 LPM) @ 1200 RPM 50 GPM (190 LPM) @ 750 RPM	2- ½"	2"	3"	5- 7- ½" HP (3.7 – 5.6 kW)	1 ft.	YES
ATC-3L MAX 1800 RPM	100 GPM (380 LPM) @ 1800 RPM 83 GPM (314 LPM) @ 1500 RPM 50 GPM (190 LPM) @ 900 RPM	2- ½"	2"	3"	5- 7- ½" HP (3.7 – 5.6 kW)	1 ft.	YES
ATC-3LH MAX 1500 RPM	100 GPM (380 LPM) @ 1500 RPM 80 GPM (303 LPM) @ 1200 RPM 50 GPM (190 LPM) @ 750 RPM	2- ½"	2"	3"	5- 7- ½" HP (3.7 – 5.6 kW)	1 ft.	YES



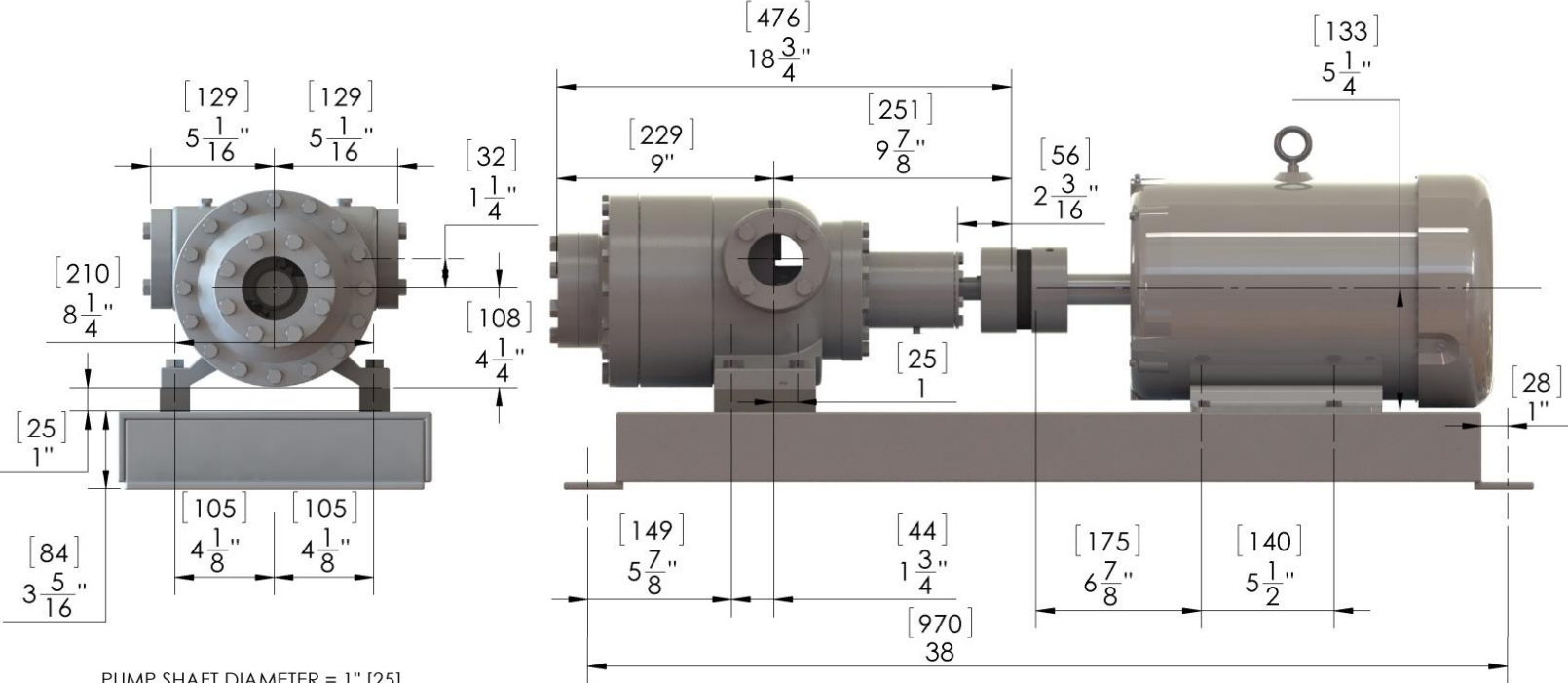
Threaded Flange



Butt-Weld Flange



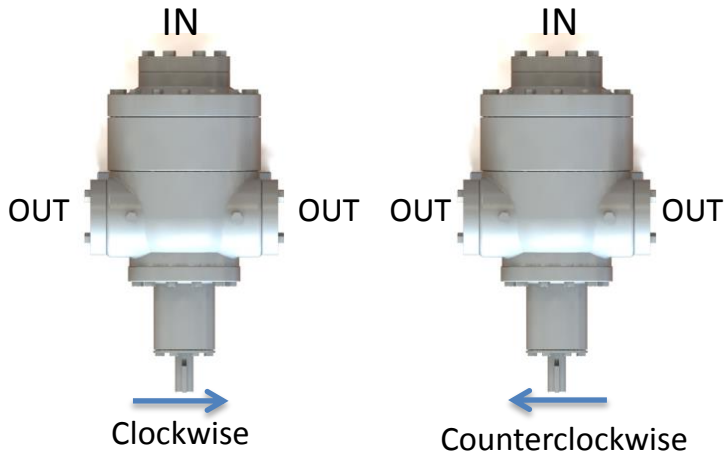
Socket Weld Flange



PUMP SHAFT DIAMETER = 1" [25]
 PUMP DRIVE SHAFT KEY SIZE 1/4" [6] X 1/4" [6]
 PUMP DIMENSIONS ARE FOR ATC-3R, ATC-3RH, ATC-3L, & ATC-3LH MODELS
 2-1/2" INLET AND OUTLET W/O FLANGES, 2" INLET AND OUTLET W/FLANGES
 MOTOR SHAFT SIZE 1-3/8" [35]
 MOTOR DIMENSIONS ARE FOR 213T FRAME, 7-1/2HP (5.6kW) MOTOR, OTHER FRAME SIZES AVAILABLE
 * ALL DIMENSIONS IN INCHES, [] DENOTES MM
 **FOR A MORE DETAILED DRAWING, PLEASE VISIT SMITHPUMPS.COM

ATC-3R, ATC-3RH

ATC-3L, ATC-3LH



NOTE: ONE OUTLET MAY BE USED WITH BLIND FLANGE INSTALLED ON UNUSED OUTLET PORT.
 (BLIND FLANGE IS SHIPPED WITH PUMP)

Model	Weight (Pump only)	Weight (Pump, base, coupling, coupling guard, motor)
ATC-3L, ATC-3LH, ATC-3R, ATC-3RH	100 lbs (45 kg)	350-400 lbs* (159-182 kg)

* Weight varies depending on motor, contact factory for specific weight

Pump Performance Curves

For continuous duty operation (over 2 hours "ON" time during one time period), we recommend reducing the RPM and specifying our heavy duty "NSSA" option.

For specific refrigerant performance curves, please contact our engineering department or visit our predicted pump performance calculator at smithpumps.com

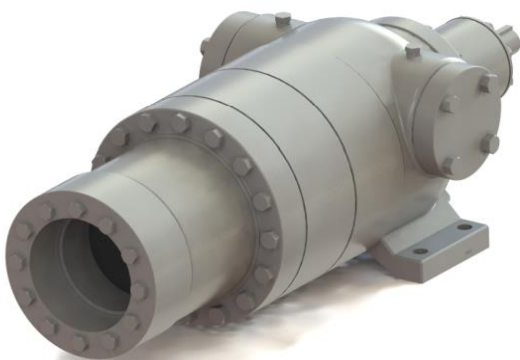
Large Capacity Pumps

Flow Rates of 75 – 150 GPM (284 – 568 LPM)

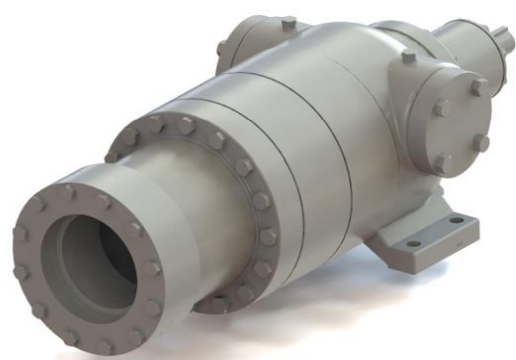


- Developed for 50 Hz Countries, the MC-4H has identical flow rate as the MC-4 (1800 RPM) when operated at 1500 RPM
- For increased pump longevity, operate a “non-H” pump at 1500 RPM or lower
- Inlet through the cover to eliminate elbows
- Our “F” type pumps come with flanges available in the threaded or welded versions

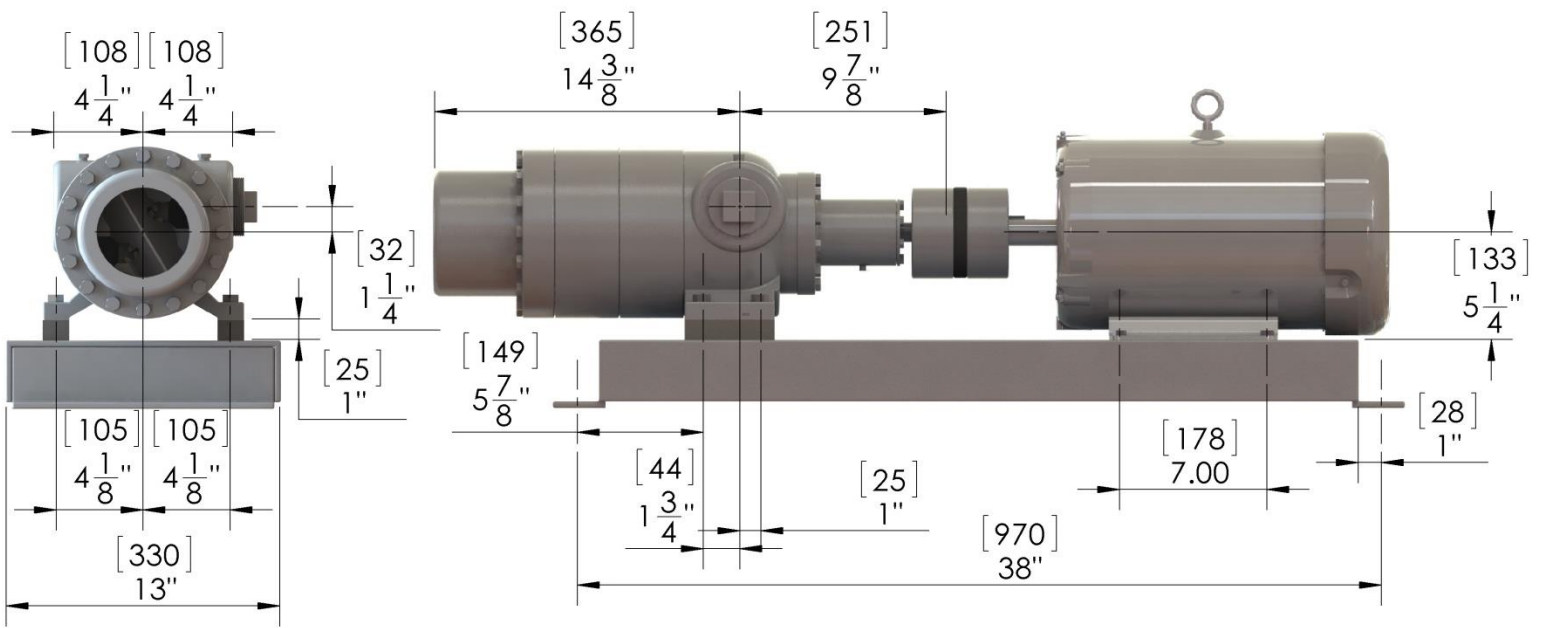
MODEL	FLOW RATE (Assume 0 psi differential pressure)	PUMP INLET SIZE	PUMP OUTLET SIZE	USUAL SIZE OF TANK LIQUID OUTLET	MOTOR	NPSHr	FLANGE
MC-4 MAX 1800 RPM	150 GPM (568 LPM) @ 1800 RPM 125 GPM (473 LPM) @ 1500 RPM 75 GPM (284 LPM) @ 900 RPM	4"	2- 1/2"	3"	7- 1/2 - 10 HP (5.6 – 7.5 kW)	1.5 ft.	NO
MC-4H MAX 1500 RPM	150 GPM (568 LPM) @ 1500 RPM 120 GPM (454 LPM) @ 1200 RPM 75 GPM (284 LPM) @ 750 RPM	4"	2- 1/2"	3"	7- 1/2 - 10 HP (5.6 – 7.5 kW)	1.5 ft.	NO
MC-4F MAX 1800 RPM	150 GPM (568 LPM) @ 1800 RPM 125 GPM (473 LPM) @ 1500 RPM 75 GPM (284 LPM) @ 900 RPM	4"	2"	3"	7- 1/2 - 10 HP (5.6 – 7.5 kW)	1.5 ft.	YES
MC-4HF MAX 1500 RPM	150 GPM (568 LPM) @ 1500 RPM 120 GPM (454 LPM) @ 1200 RPM 75 GPM (284 LPM) @ 750 RPM	4"	2"	3"	7- 1/2 - 10 HP (5.6 – 7.5 kW)	1.5 ft.	YES



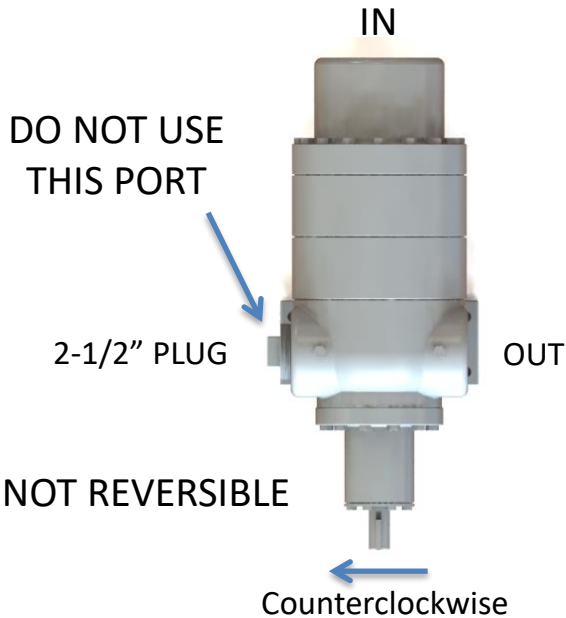
Threaded Flange



Welded Flange



PUMP SHAFT DIAMETER = 1" [25]
 PUMP DRIVE SHAFT KEY SIZE $1\frac{3}{4}$ " [44] X $1\frac{1}{4}$ " [32]
 PUMP DIMENSIONS ARE FOR STANDARD NON-FLANGED PUMP MODELS, MC-4 & MC-4H
 4" NPT INLET, 2-1/2" NPT OUTLET
 MOTOR SHAFT SIZE 1-3/8" [35]
 MOTOR DIMENSIONS ARE FOR 215T FRAME, 10 HP (7.5 kW) MOTOR, OTHER FRAME SIZES AVAILABLE
 * ALL DIMENSIONS $\pm 1/16$ IN INCHES, [] DENOTES MM
 **FOR A MORE DETAILED DRAWING, PLEASE VISIT SMITHPUMPS.COM



Model	Weight (Pump only)	Weight (Pump, base, coupling, coupling guard, motor)
MC-4, MC-4F, MC-4H, MC-4HF	135 lbs (62 kg)	450-500 lbs* (204-227 kg)

* Weight varies depending on motor, contact factory for specific weight

Pump Performance Curves

For continuous duty operation (over 2 hours "ON" time during one time period), we recommend reducing the RPM and specifying our heavy duty "NSSA" option.

For specific refrigerant performance curves, please contact our engineering department or visit our predicted pump performance calculator at smithpumps.com

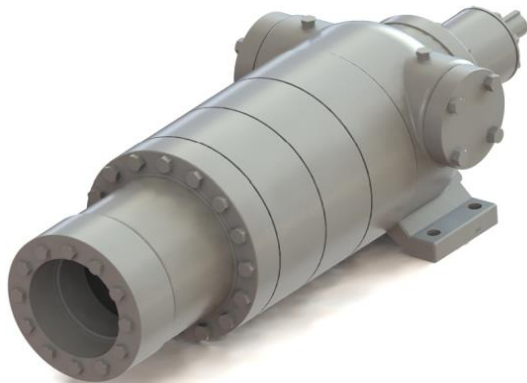
Large Capacity Pumps

Flow Rates of 100– 250 GPM (379 – 946 LPM)



- Ideal for high capacity bulk transfer
- For higher flow rates, specify our “Large” gear option for 250 GPM
- For increased pump longevity, operate a “non-H” pump at 1500 RPM or lower
- Inlet through the cover to eliminate elbows
- Our “F” type pumps come with flanges available in the threaded or welded versions

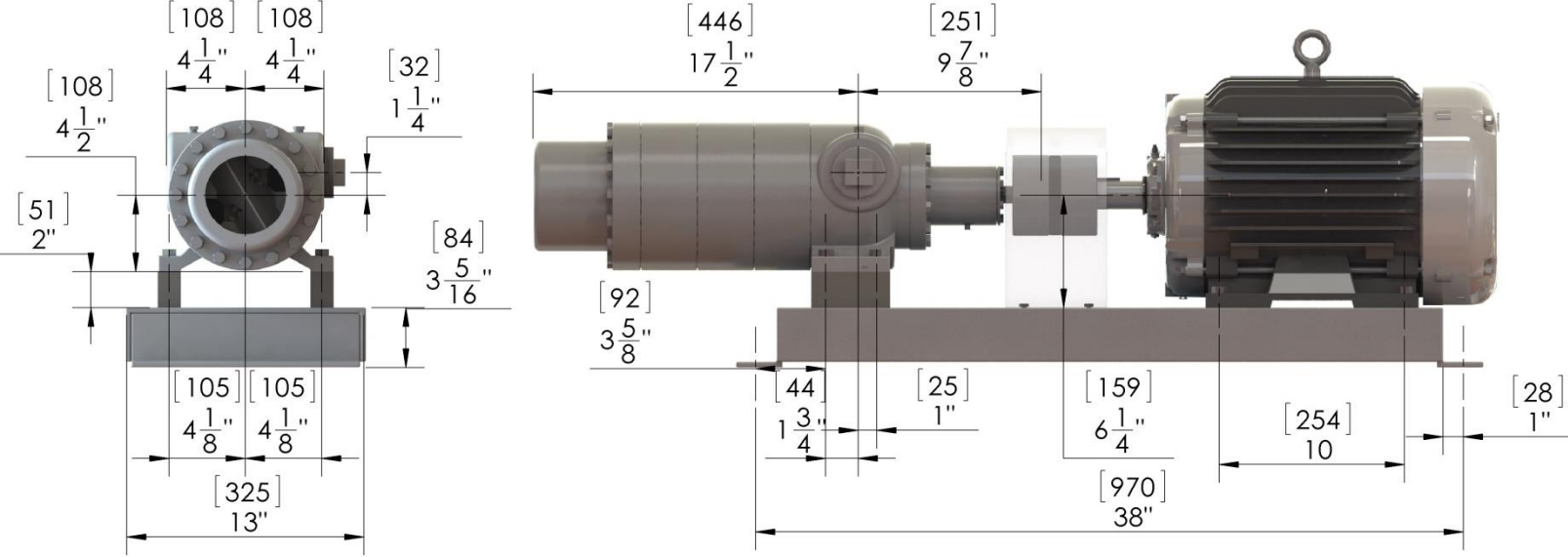
MODEL	FLOW RATE (Assume 0 psi differential pressure)	PUMP INLET SIZE	PUMP OUTLET SIZE	USUAL SIZE OF TANK LIQUID OUTLET	MOTOR	NPSHr	FLANGE
MC-5 MAX 1800 RPM	200 GPM (757 LPM) @ 1800 RPM 167 GPM (632 LPM) @ 1500 RPM 100 GPM (379 LPM) @ 900 RPM	4"	2- ½"	4"-6"	10 – 20 HP (7.5 – 14.9 kW)	2-3 ft.	NO
MC-5H MAX 1500 RPM	200 GPM (757 LPM) @ 1500 RPM 160 GPM (606 LPM) @ 1200 RPM 100 GPM (379 LPM) @ 750 RPM	4"	2- ½"	4"-6"	10 – 20 HP (7.5 – 14.9 kW)	2-3 ft.	NO
MC-5F MAX 1800 RPM	200 GPM (757 LPM) @ 1800 RPM 167 GPM (632 LPM) @ 1500 RPM 100 GPM (379 LPM) @ 900 RPM	4"	2"	4"-6"	10 – 20 HP (7.5 – 14.9 kW)	2-3 ft.	YES
MC-5HF MAX 1500 RPM	200 GPM (757 LPM) @ 1500 RPM 160 GPM (606 LPM) @ 1200 RPM 100 GPM (379 LPM) @ 750 RPM	4"	2"	4"-6"	10 – 20 HP (7.5 – 14.9 kW)	2-3 ft.	YES



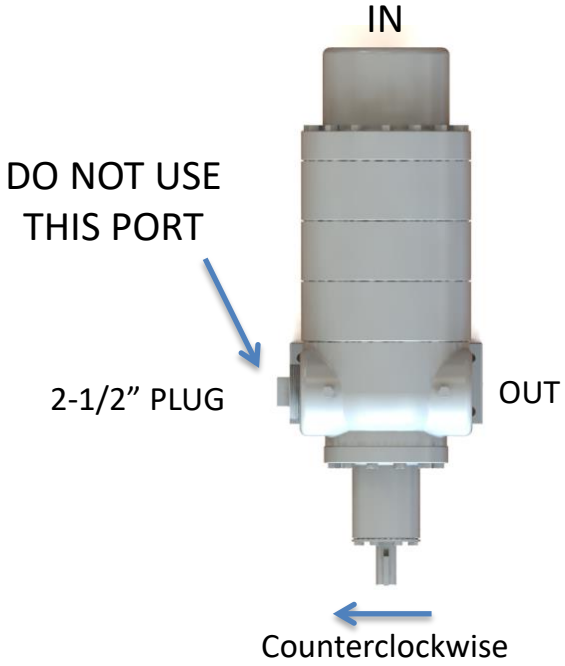
Threaded Flange



Welded Flange



PUMP SHAFT DIAMETER = 1" [25]
 PUMP DRIVE SHAFT KEY SIZE 1/4" [6] X 1/4" [6]
 PUMP DIMENSIONS ARE FOR STANDARD NON-FLANGED PUMP MODELS, MC-5 & MC-5H
 4" NPT INLET, 2-1/2" NPT OUTLET
 MOTOR SHAFT SIZE 1-5/8" [41]
 MOTOR DIMENSIONS ARE FOR 254T FRAME, 15 HP (11.2 kW) MOTOR, OTHER FRAME SIZES AVAILABLE
 * ALL DIMENSIONS ±1/16 IN INCHES, [] DENOTES MM
 **FOR A MORE DETAILED DRAWING, PLEASE VISIT SMITHPUMPS.COM



Model	Weight (Pump only)	Weight (Pump, base, coupling, coupling guard, motor)
MC-5, MC-5F, MC-5H, MC-5HF	170lbs (77 kg)	465-530 lbs* (211-240 kg)

* Weight varies depending on motor, contact factory for specific weight

Pump Performance Curves

For continuous duty operation (over 2 hours "ON" time during one time period), we recommend reducing the RPM and specifying our heavy duty "NSSA" option.

For specific refrigerant performance curves, please contact our engineering department or visit our predicted pump performance calculator at smithpumps.com